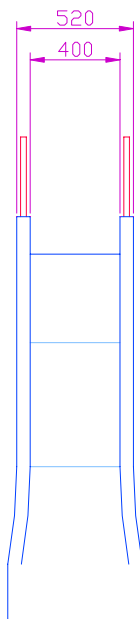


Long Straight Slide

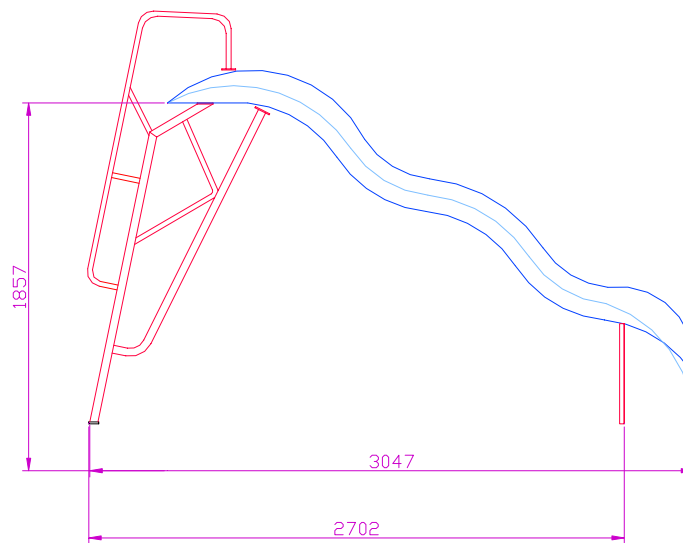


Pool Slide Dimensions

Front View



Side View



- * The Slide must be placed within approximately 300mm of the water's edge
- * The Slide requires approximately 3.5M+ by 0.7M+ of space
- * The slide will seat a person up to the size of approximately 400mm

Key:

Red – Steps/Supports

Blue – Slide

Purple – Dimension line