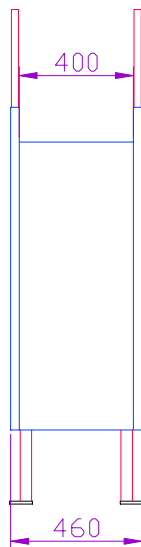


Small Straight Pool Slide

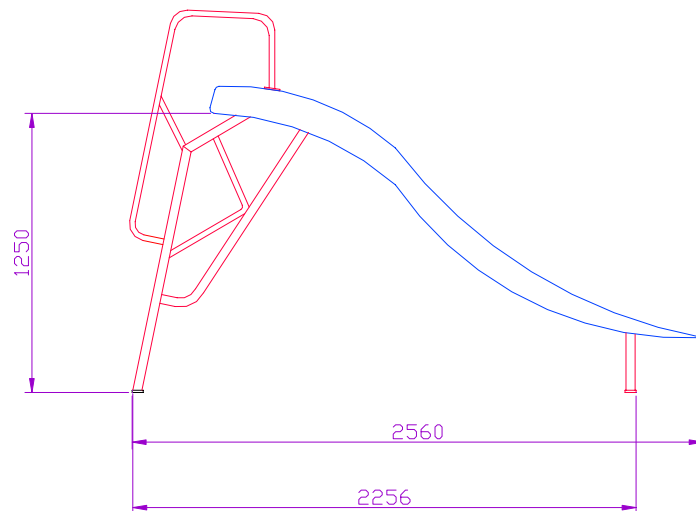


Pool Slide Dimensions

Front View



Side View



- * The Slide must be placed within approximately 300mm of the water's edge
- * The Slide requires approximately 2.8M+ by 0.5M+ of space
- * The slide will seat a person up to the size of approximately 400mm

Key:

- * Red – Steps/Supports
- * Blue – Slide
- * Purple – Dimension Lines